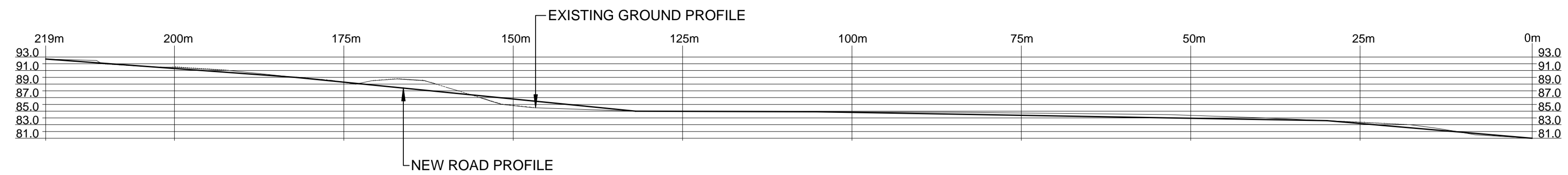
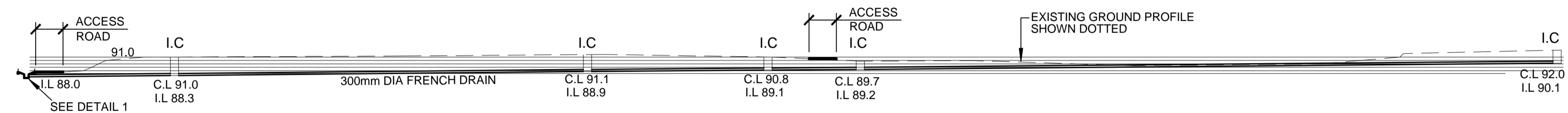


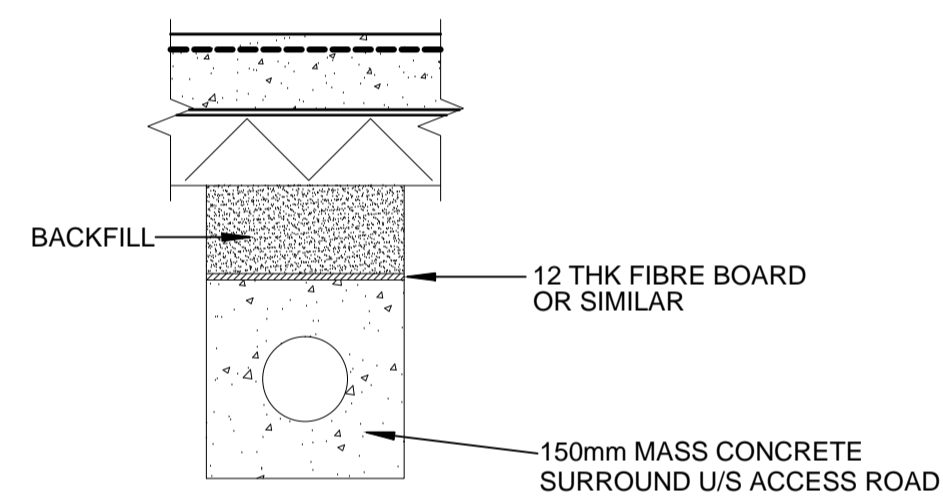
NOTES:
 1. FOR ARRANGEMENT SEE DRAWING NO. 4858 / 003.



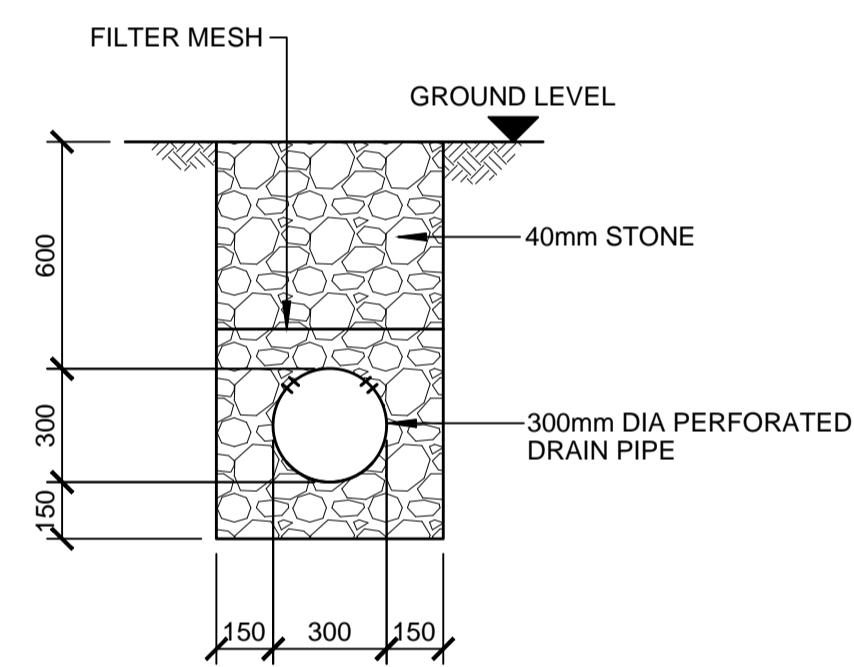
ELEVATION ON NEW ACCESS ROAD
 1:500



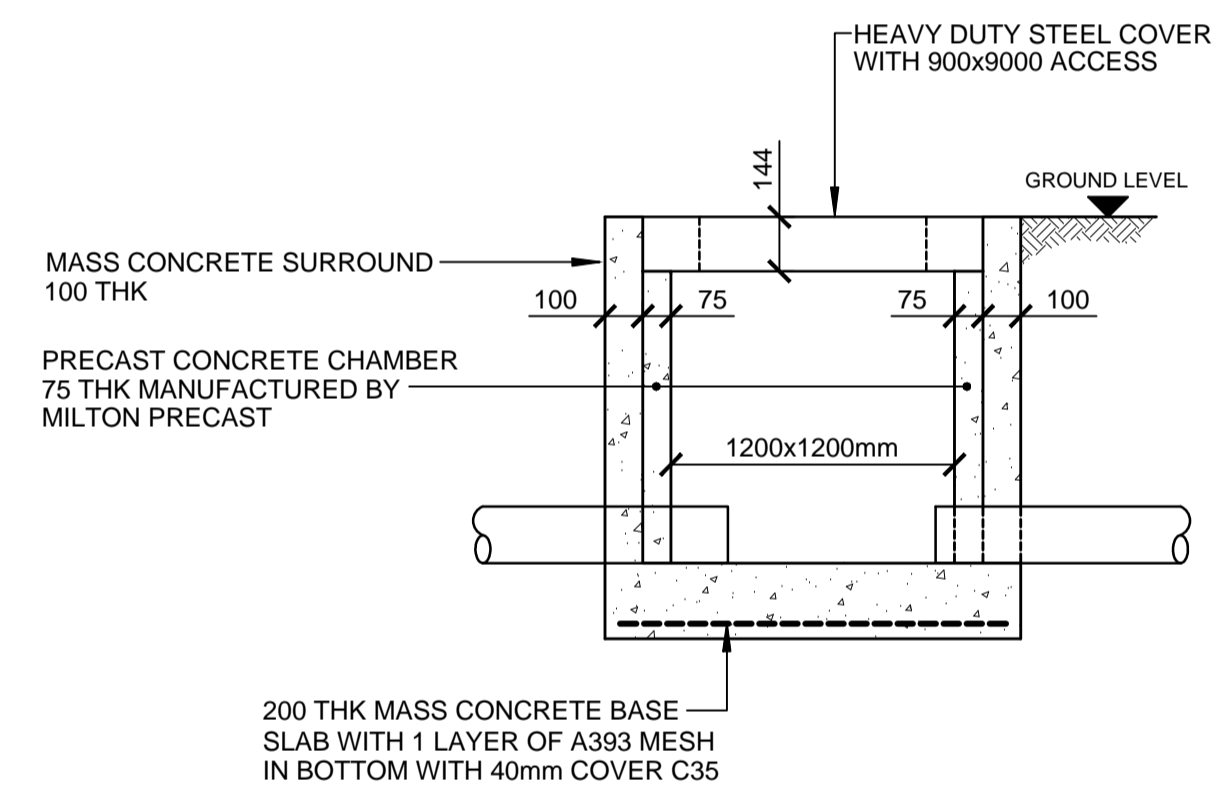
PROFILE ON NEW FRENCH DRAIN
 1:500



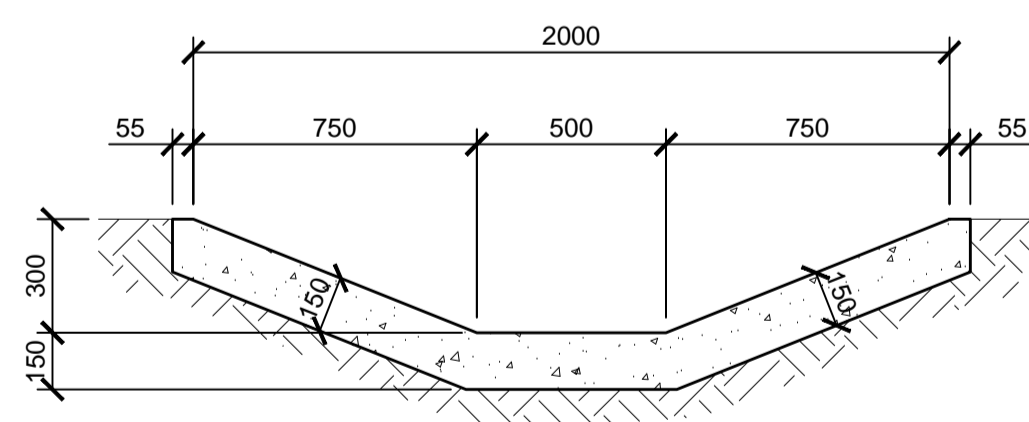
PIPE BEDDING DETAIL AT ACCESS ROAD
 1:20



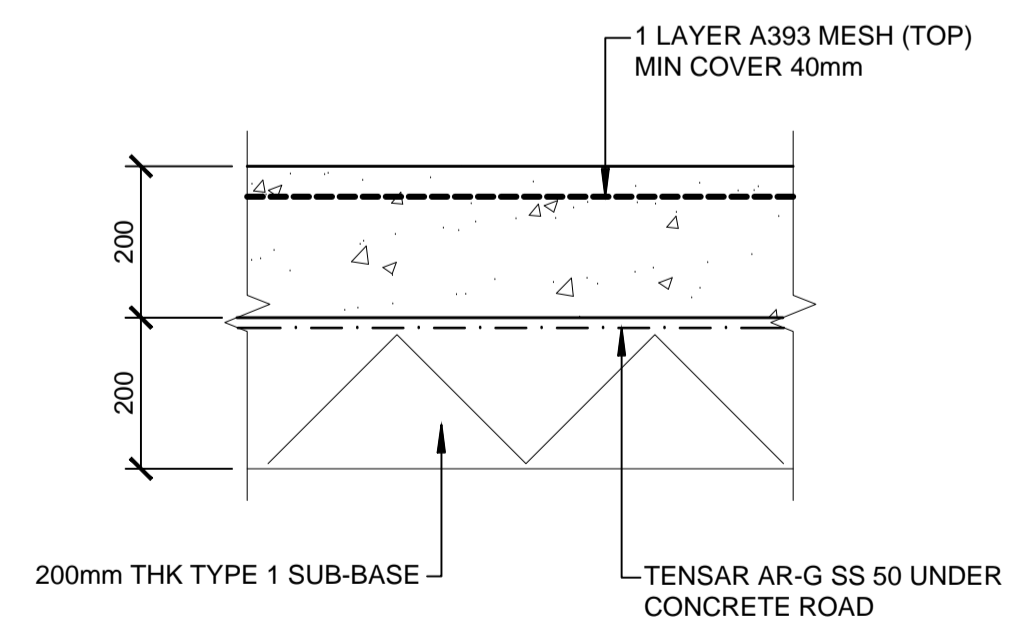
FRENCH DRAIN DETAIL
 1:20



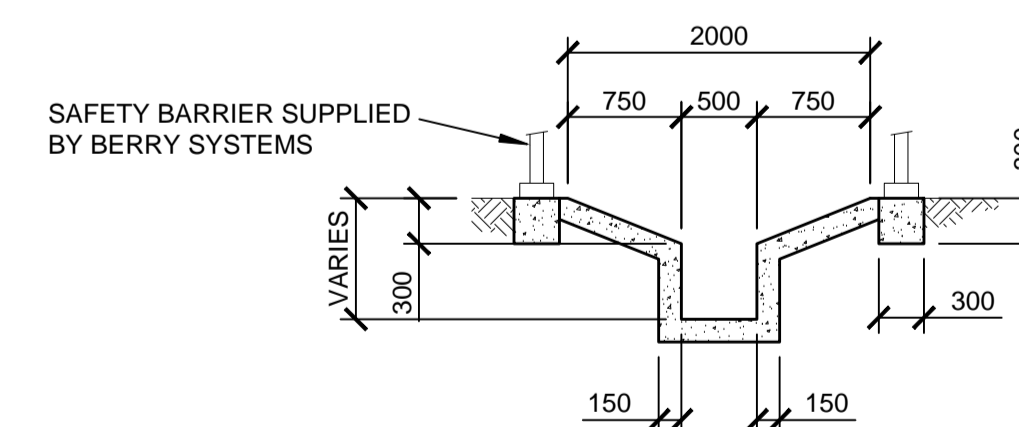
INSPECTION CHAMBER DETAIL
 1:20



TYPICAL SECTION SHOWING DITCH
 1:20



ROAD CONSTRUCTION
 1:10



DETAIL 1 - HEADWALL
 1:50

A	04.10.11	LD	ISSUE FOR
REV	DATE	DRAWN	DESCRIPTION

© R A CAMIS & PARTNERS Ltd
 This drawing shall not be copied, altered or passed to any third party without the written consent of R A CAMIS & PARTNERS Ltd who accept no responsibility for digitally altered versions by others, unless returned for verification. R A CAMIS & PARTNERS Ltd also accept no responsibility for any digital copy corrupted during electronic data transmission.

R A CAMIS & PARTNERS LTD
 Consulting Civil & Structural Engineers
 Stone Castle, Stone Castle Drive, Stone, Kent DA9 9XL
 Tel: 01322 383270 Fax: 01322 382499
 e-mail: info@racamis.co.uk

CONTRACT BRITISH GYPSUM
 ROBERTSBRIDGE WORKS
 DSG STORAGE

TITLE ELEVATION AND DETAILS

DRAWING NR 4858 / 005

SCALE 1:500 @ A1 DATE OCT 11

DRAWN LD CHECKED CSC APPROVED

REVISION A